

QUALITY YOU CAN TRUST.



INTERNATIONAL HOSPITAL  
MEDICAL SOLUTIONS  
UAE BRANCH (IHMS.HFZ)  
OEM DESIGN

For medical supply & medical  
gas installation.

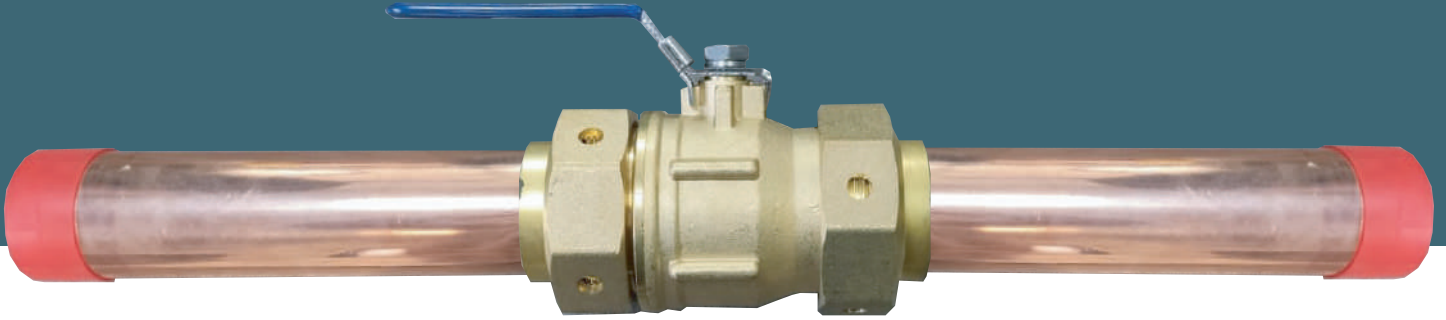
SINCE 1995

INFO@IHMSGLOBAL.COM  
SALES@IHMSGLOBAL.COM

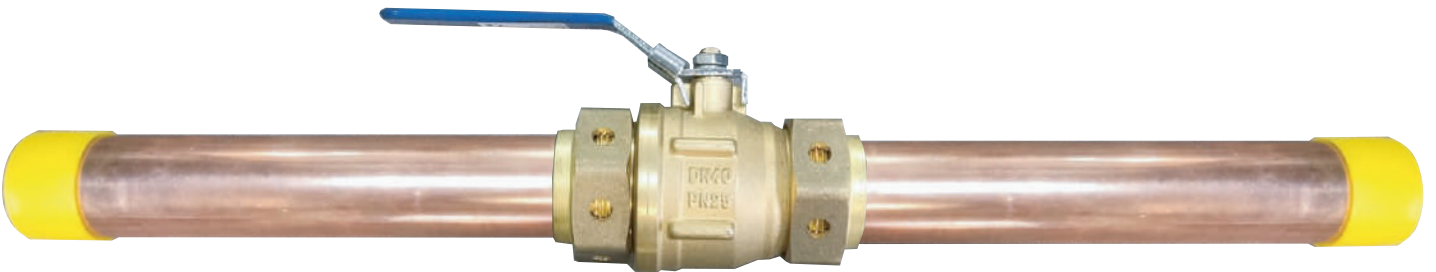
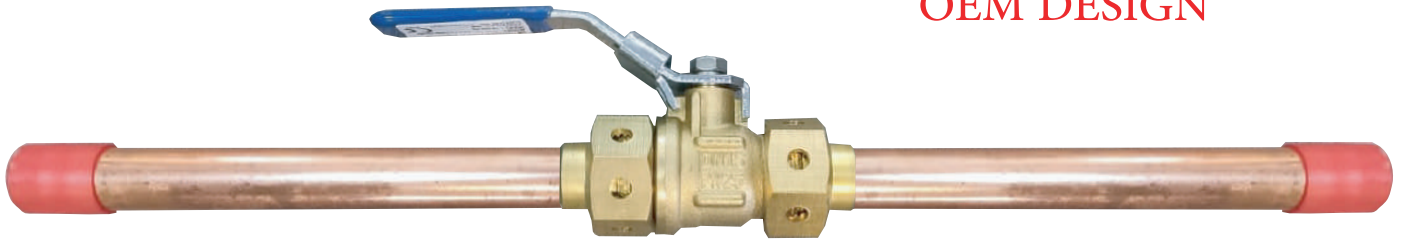
Lockable Line Valve  
**CATALOGUE**

EXCLUSIVE DESIGN FOR IHMS.FZC

# Lockable Line Valve



OEM DESIGN

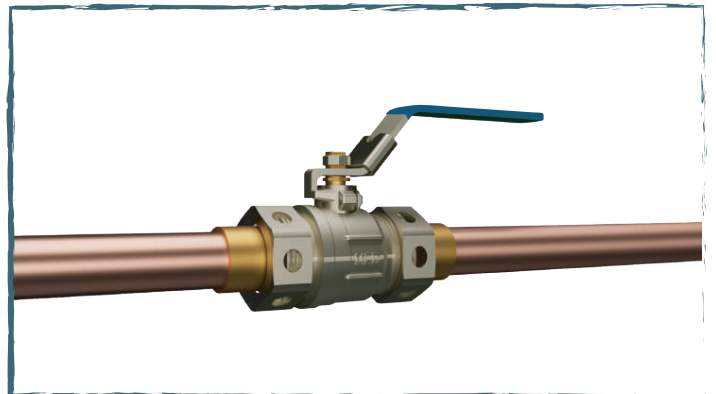


## VALVE MATERIAL OF CONSTRUCTION

### Component

### Material

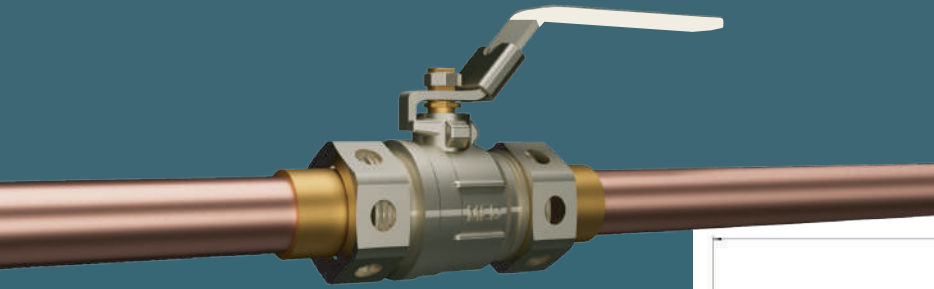
Valve body	Brass CZ122
Ball	Stainless steel 304
Stem	Brass CZ122
O-rings	NBR
Ball seals	PTFE
Pipe Flanges	Brass CZ122
Solders	AG 103
Copper Stubs	In Accordance with BS EN 13348



UAE Address:

**IHMS FZC, Warehouse NO.LV-46-B, Hamriyah Free Zone, UAE , Telfax: +971 6 704 4351**

**Emails: [info@ihmsglobal.com](mailto:info@ihmsglobal.com) , [sales@ihmsglobal.com](mailto:sales@ihmsglobal.com) website: [www.ihmsglobal.com](http://www.ihmsglobal.com)**

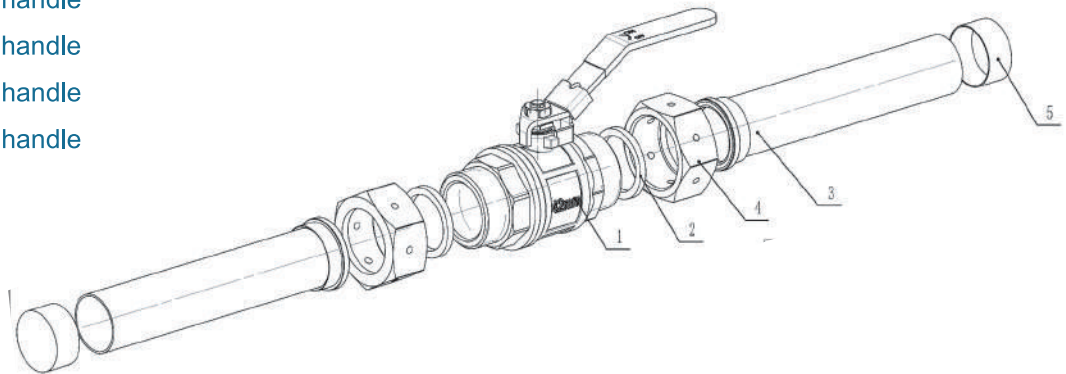
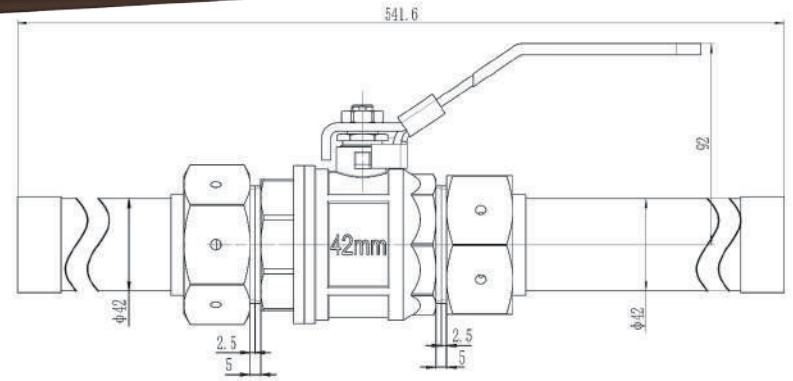


# Lockable Line Valve

## Technical Data

### Models

- 15mm Line Valve, lockable handle
- 22mm Line Valve, lockable handle
- 28mm Line Valve, lockable handle
- 35mm Line Valve, lockable handle
- 42mm Line Valve, lockable handle
- 54mm Line Valve, lockable handle



## OEM DESIGN

### Meets the requirements of

HTM 02-01 & HTM 2022,  
BS EN ISO 7396-1, BS EN ISO 18082

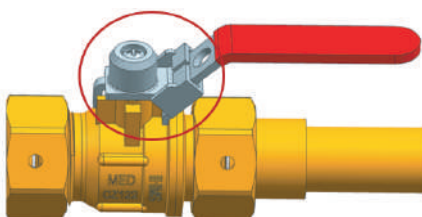
### Suitable for following gases

O<sub>2</sub> | N<sub>2</sub>O | CO<sub>2</sub> | SURGICAL AIR | N<sub>2</sub> | VACUUM |  
MEDICAL AIR (other gases available on request)

### Working Pressure

25 Bar

- Lockable Line Valves consist of a purpose designed male threaded brass ball valve fitted with copper pipe stubs.
- Meets the requirements of HTM 02-01 & HTM 2022 Medical Gas Pipeline Systems, BS EN ISO 7396-1 Medical Gas Pipeline Systems, BS EN ISO 18082 NIST Low pressure connectors for medical gases
- Available for standard pipe work sizes from  $\varnothing$ 15mm to  $\varnothing$ 54mm. Larger sizes are also available
- Lockable Stainless Steel SS304 Long Handle
- Suitable for following gases O<sub>2</sub> | N<sub>2</sub>O | CO<sub>2</sub> | SURGICAL AIR | N<sub>2</sub> | VACUUM | MEDICAL AIR (other gases available on request)



UAE Address:

**IHMS FZC, Warehouse NO.LV-46-B, Hamriyah Free Zone, UAE, Telfax: +971 6 704 4351**  
[Emails:info@ihmsglobal.com](mailto:info@ihmsglobal.com), [sales@ihmsglobal.com](mailto:sales@ihmsglobal.com) [website: www.ihmsglobal.com](http://www.ihmsglobal.com)